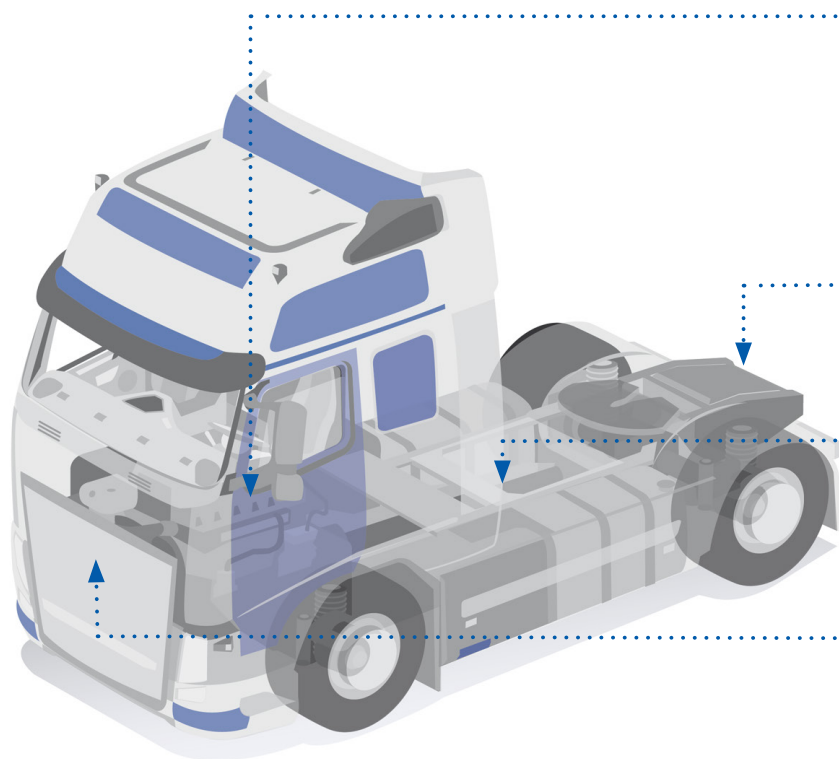


Smøreoversigt Volvo lastbiler



MOTOR

TITAN CARGO MAXX SAE 10W-40	Volvo VDS 4
TITAN CARGO MAXX SAE 5W-30	
TITAN CARGO SAE 10W-30	Volvo VDS 4,5
TITAN CARGO SAE 15W-40	

DIFFERENTIALE

TITAN CYTRAC TD SAE 75W-90	Volvo 97312
----------------------------	-------------

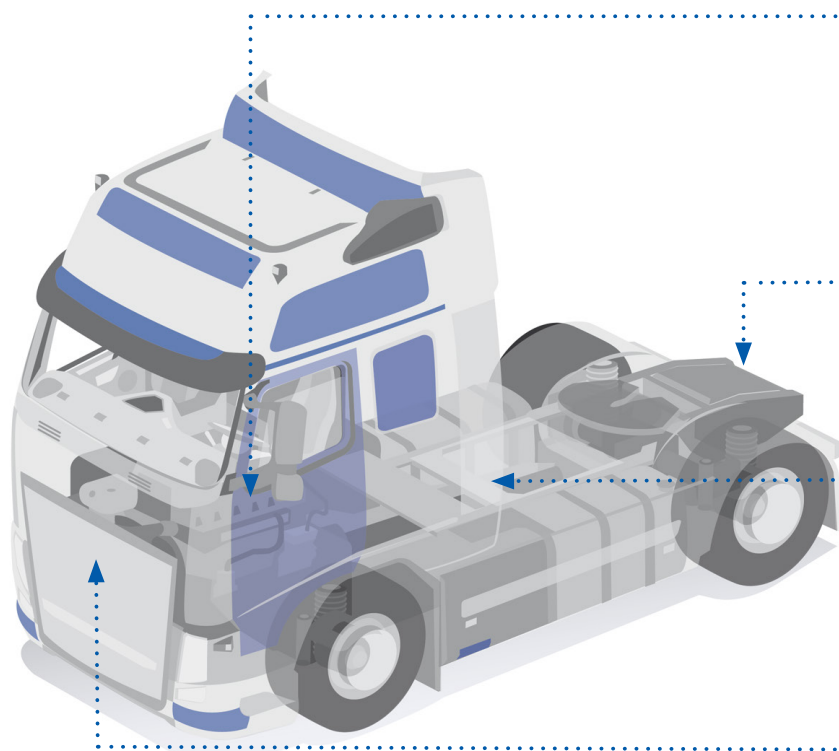
GEARKASSE

TITAN CYTRAC MAT SAE 75W-80	Volvo 97307
TITAN CYTRAC ULTRA SYNTH SAE 75W-80	Volvo 97307

KØLERVÆSKE

MAINTAIN FRICOFIN LL-YF	Volvo VCS
-------------------------	-----------

Smøreoversigt Mercedes lastbiler



MOTOR

TITAN CARGO MAXX SAE 10W-40	MB 228.51
TITAN CARGO MAXX SAE 5W-30	MB 228.51
TITAN CARGO SAE 10W-30	MB 228.31
TITAN CARGO SAE 15W-40	MB 228.31

DIFFERENTIALE

TITAN CYTRAC TD SAE 75W-90	MB 235.8
TITAN GEAR HYP LD SAE 80W-90	MB 235.20

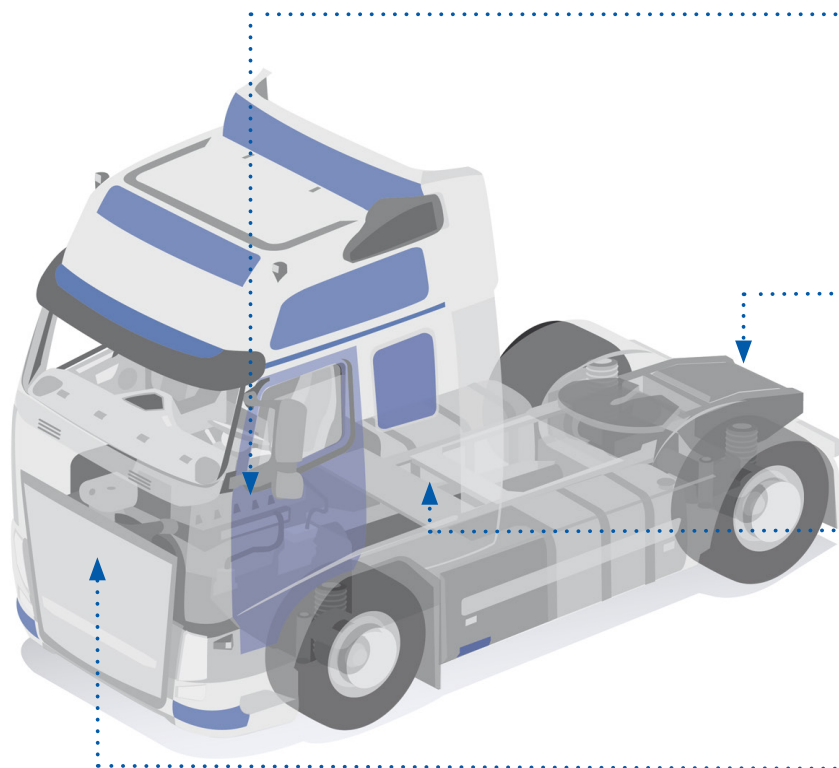
GEARKASSE

TITAN CYTRAC MB SYNTH SAE 75W-90	MB 235.11 (EURO 6 & bagud)
TITAN GEAR MP SAE 80W	MB 235.1
TITAN CYTRAC FE SYNT SAE 75W-85	MB 235.16

KØLERVÆSKE

MAINTAIN FRICOFIN DP	MB 325.5/325.6
-----------------------------	-----------------------

Smøreoversigt MAN lastbiler



MOTOR

TITAN CARGO MAXX SAE 5W-30	MAN M 3677
TITAN CARGO MAXX SAE 10W-40	MAN M 3477
TITAN CARGO SAE 10W-30	MAN M 3575-1
TITAN CARGO SAE 15W-40	

DIFFERENTIALE

TITAN CYTRAC TD SAE 75W-80	MAN 342 S1
TITAN SUPERGEAR SAE 80W-90	MAN 342 M2
TITAN GEAR HYP LD SAE 80W-90	MAN 324 M3

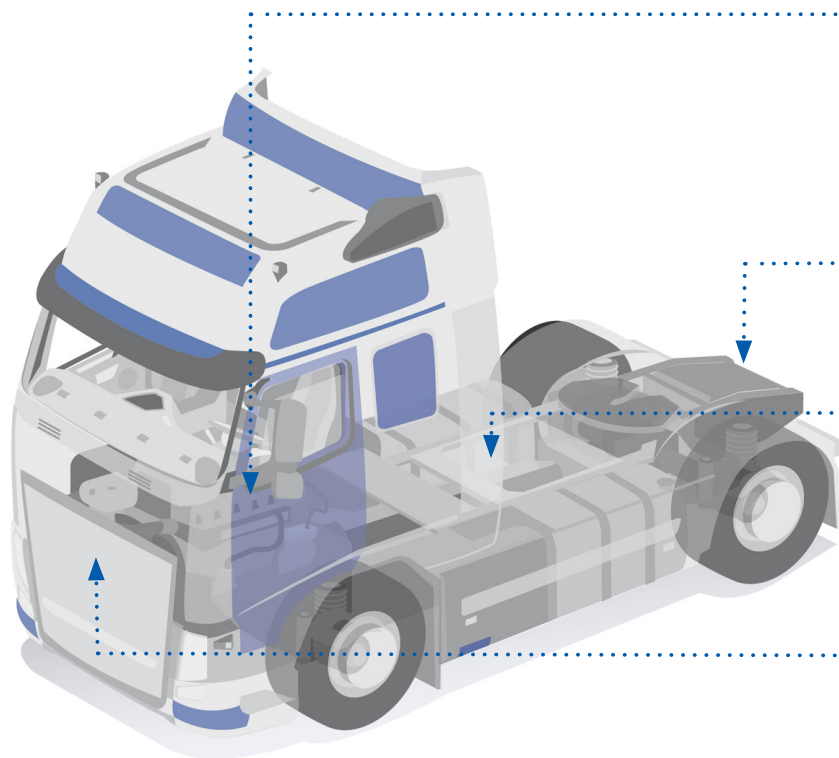
GEARKASSE

TITAN CYTRAC ULTRA SYNTH SAE 75W-80	MAN 341 Z5
TITAN CYTRAC MAT SAE 75W-80	MAN 341 Z4
TITAN CYTRAC MB SYNTH SAE 75W-80	MAN 341 MB

KØLERVÆSKE

MAINTAIN FRICOFIN DP	MAN SI-OAT
-----------------------------	-------------------

Smøreoversigt Scania lastbiler



MOTOR

TITAN CARGO MAXX SAE 5W-30	LDf-4
TITAN CARGO LD 3 SAE 10W-40	LDf 3 (V8-motorer)
TITAN CARGO SL SAE 5W-30	LDf 3

DIFFERENTIALE

TITAN SUPERGEAR MC SAE 80W-140	STO 1:0
TITAN GEARWAY S5 SAE 75W-140	STO 1:0

GEARKASSE

TITAN CYTRAC TD SAE 75W-90	STO 1:0, STO 2:0A FS
TITAN GEAR HYP LD SAE 80W-90	STO 1:0

KØLERVÆSKE

MAINTAIN FRICOFIN DP
